

PRODUCT DATA:



CLAYWORKS STANDARD DETAILS

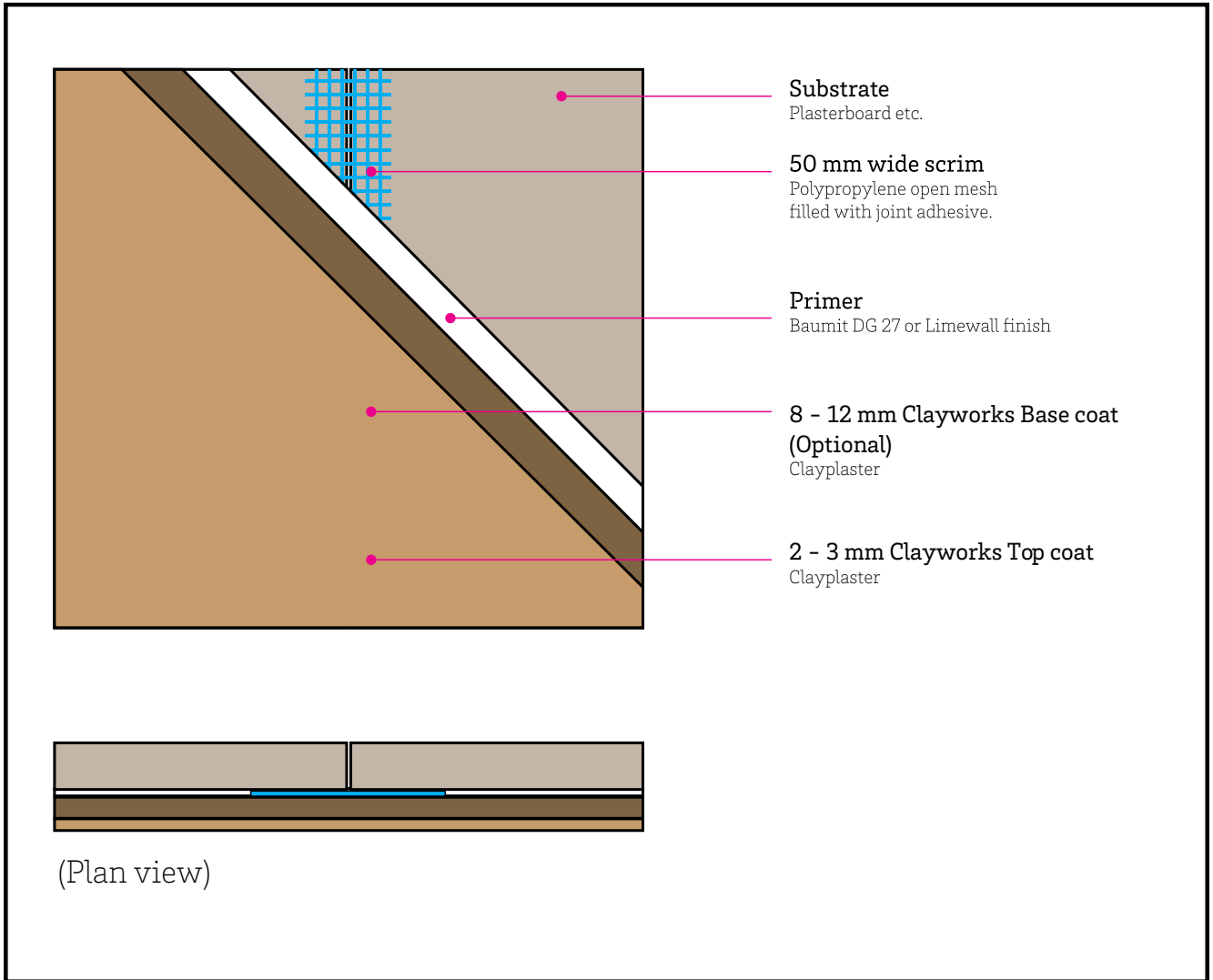
# Clayworks

Natural clay plaster wall finishes

[www.clay-works.com](http://www.clay-works.com)

## PRODUCT DATA:

### JOINT IN SUBSTRATE



# Clayworks

Please direct any correspondence to our administration office at:

The Granary, Higher Boden Farm  
Manaccan - Helston, Cornwall, TR12 6EN, UK

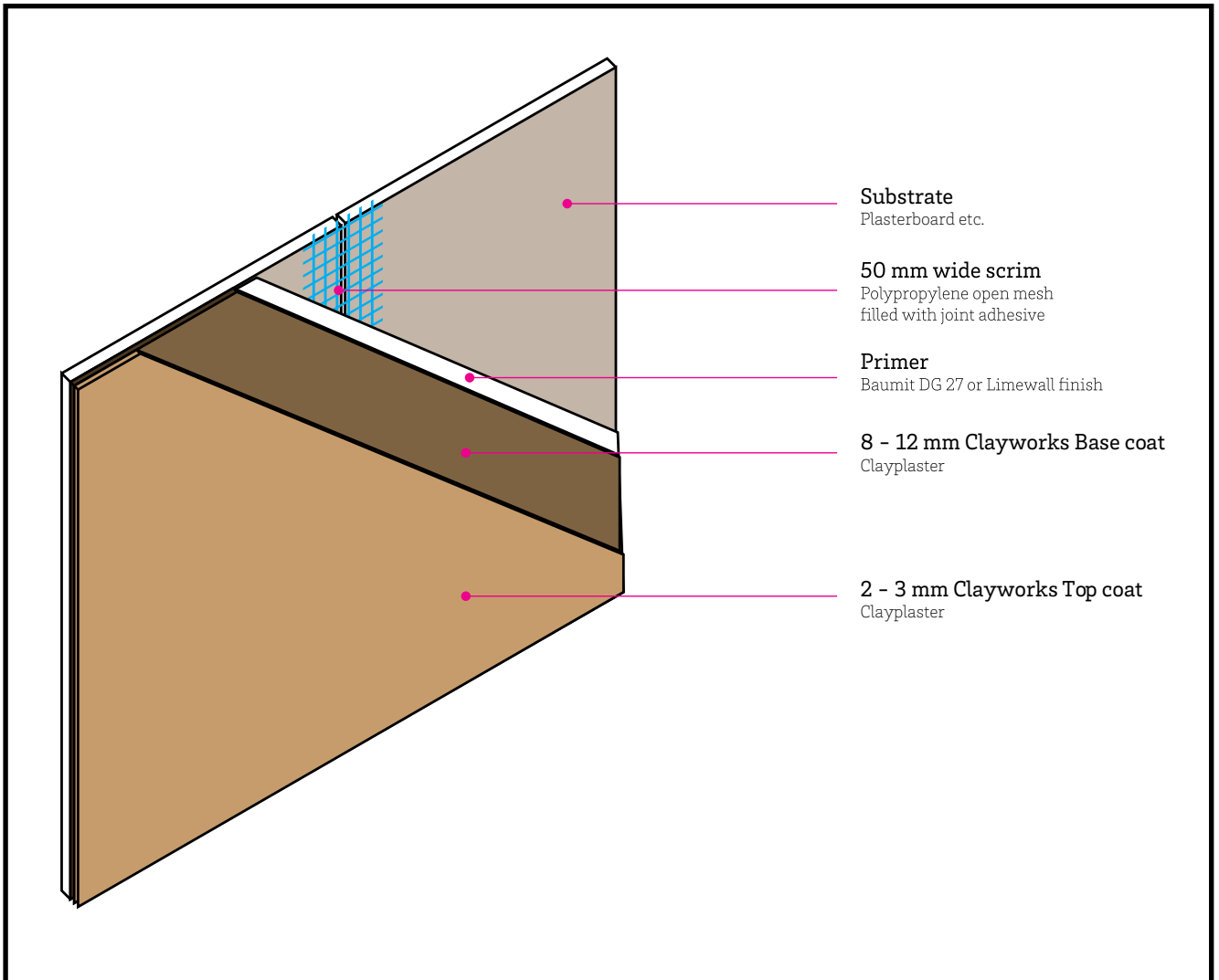
[info@clay-works.com](mailto:info@clay-works.com)  
[www.clay-works.com](http://www.clay-works.com)

01326 341339

Clayworks Limited Registered Office: Lowin House  
Tregolls Road, Truro, Cornwall, TR1 2NA, UK  
Company N° 4552140 • VAT N° 986755351

## PRODUCT DATA:

### JOINT IN SUBSTRATE



# Clayworks

Please direct any correspondence to our administration office at:

The Granary, Higher Boden Farm  
Manaccan - Helston, Cornwall, TR12 6EN, UK

[info@clay-works.com](mailto:info@clay-works.com)  
[www.clay-works.com](http://www.clay-works.com)

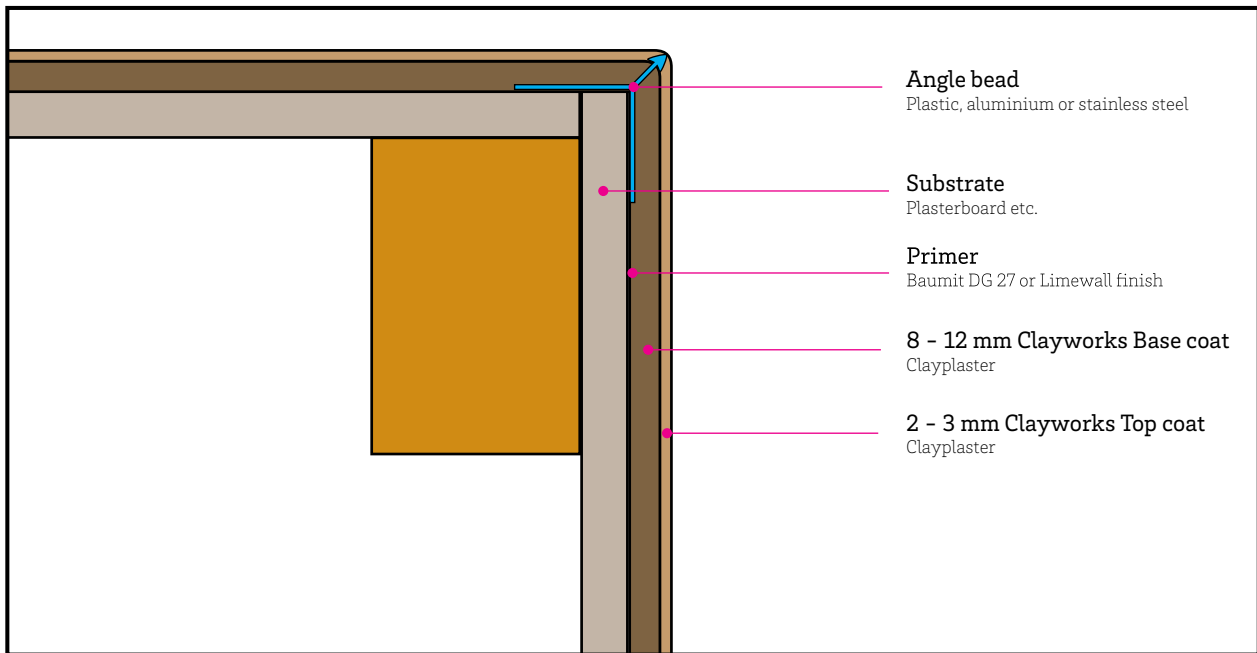
01326 341339

Clayworks Limited Registered Office: Lowin House  
Tregolls Road, Truro, Cornwall, TR1 2NA, UK  
Company N° 4552140 • VAT N° 986755351

## PRODUCT DATA:

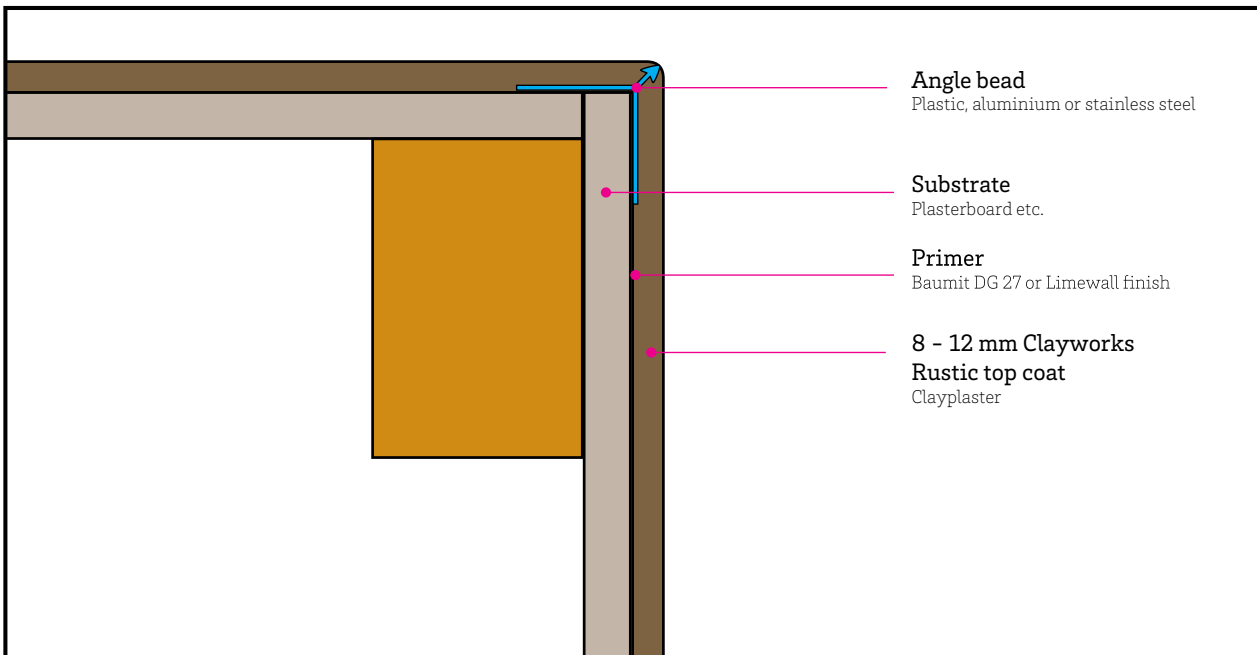
### EXTERNAL CORNER DETAIL

Smooth top coat corner detail- right angle with .5mm of beading exposed



### PROTECTED EXTERNAL CORNER DETAIL

Rustic top coat corner detail- right angle with .5mm of beading exposed



# Clayworks

Please direct any correspondence to our administration office at:

The Granary, Higher Boden Farm  
Manaccan - Helston, Cornwall, TR12 6EN, UK

[info@clay-works.com](mailto:info@clay-works.com)  
[www.clay-works.com](http://www.clay-works.com)

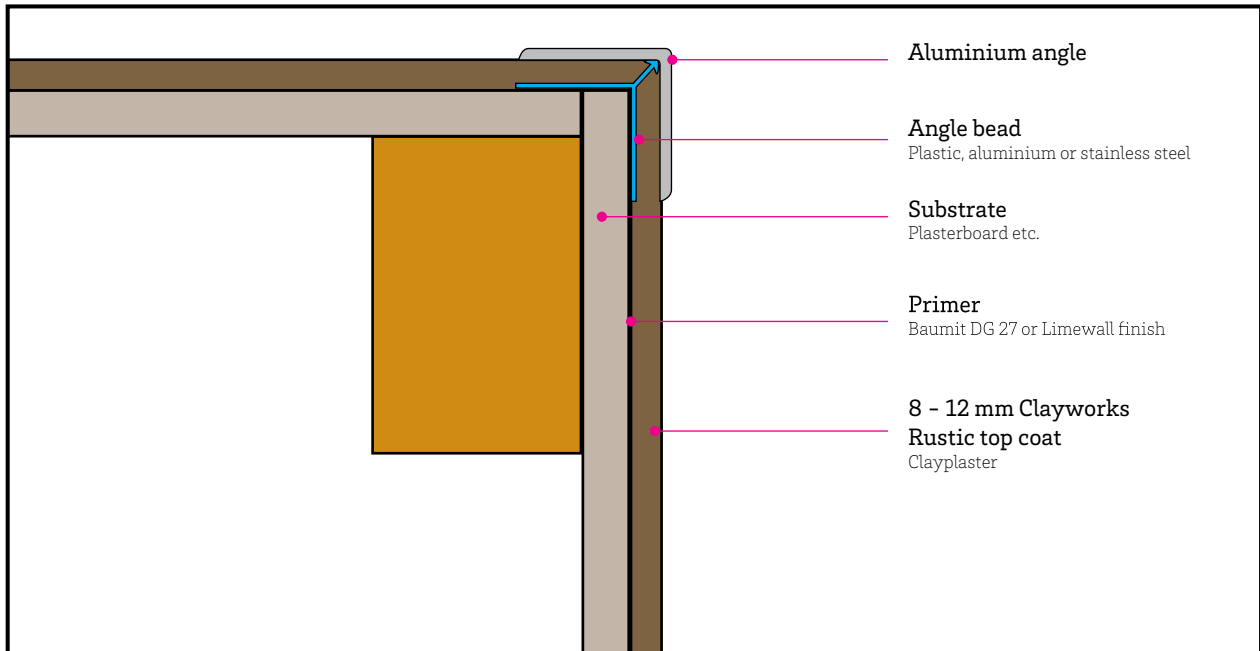
01326 341339

Clayworks Limited Registered Office: Lowin House  
Tregolls Road, Truro, Cornwall, TR1 2NA, UK  
Company N° 4552140 • VAT N° 986755351

## PRODUCT DATA:

### PROTECTED EXTERNAL CORNER DETAIL

#### Rustic top coat protected corner detail



## Clayworks

Please direct any correspondence to our administration office at:

The Granary, Higher Boden Farm  
Manaccan - Helston, Cornwall, TR12 6EN, UK

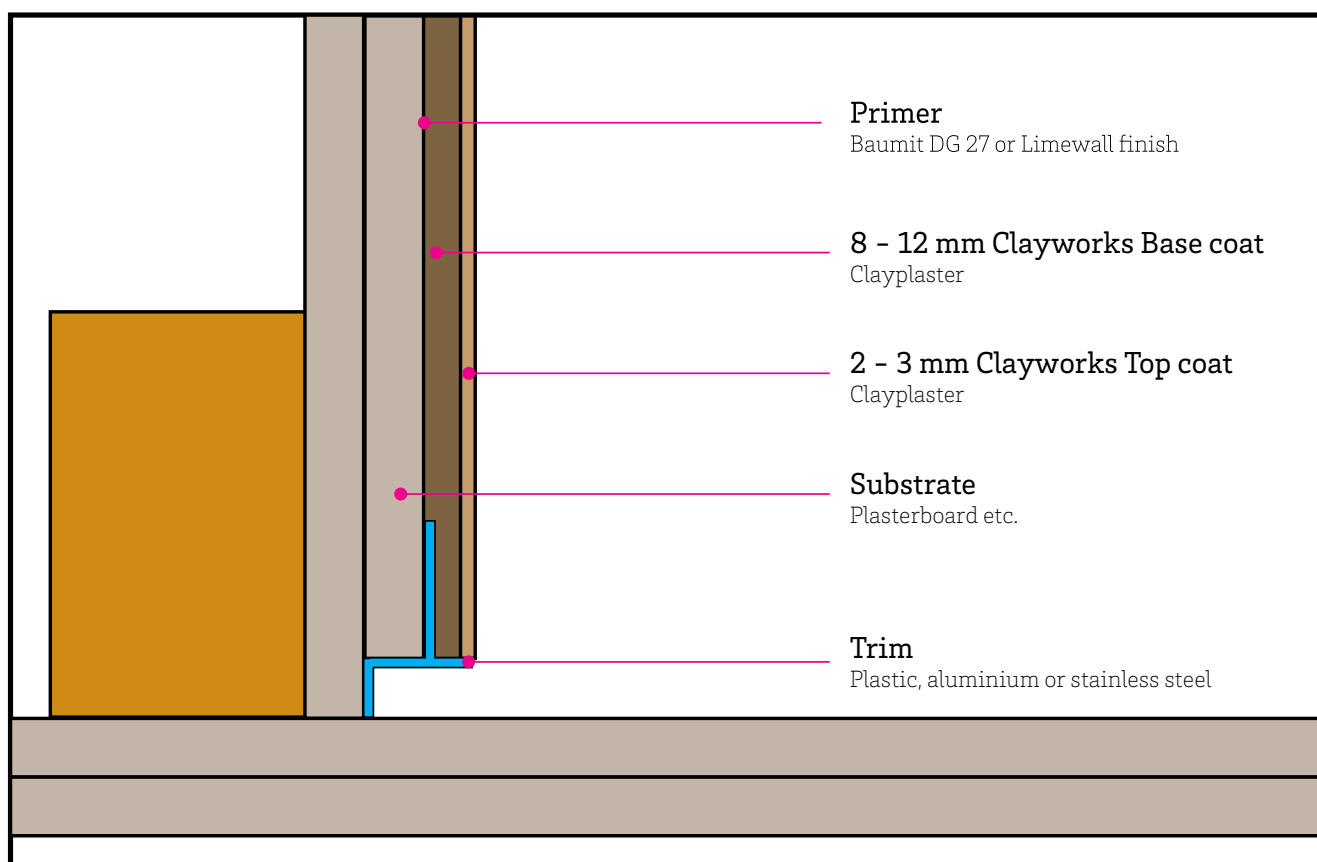
[info@clay-works.com](mailto:info@clay-works.com)  
[www.clay-works.com](http://www.clay-works.com)

01326 341339

Clayworks Limited Registered Office: Lowin House  
Tregolls Road, Truro, Cornwall, TR1 2NA, UK  
Company N° 4552140 • VAT N° 986755351

## PRODUCT DATA:

### INTERNAL CORNER SHADOW GAP



## Clayworks

Please direct any correspondence to our administration office at:

The Granary, Higher Boden Farm  
Manaccan - Helston, Cornwall, TR12 6EN, UK

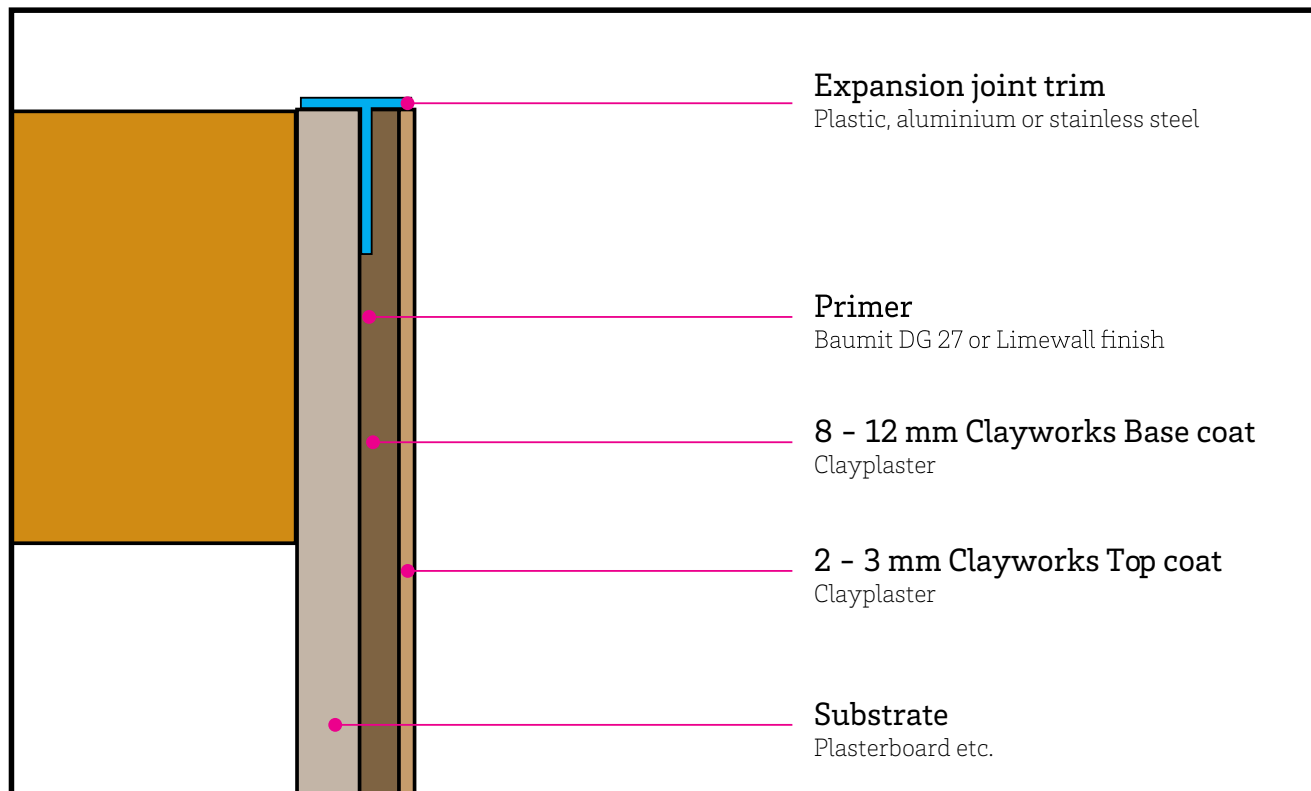
[info@clay-works.com](mailto:info@clay-works.com)  
[www.clay-works.com](http://www.clay-works.com)

01326 341339

Clayworks Limited Registered Office: Lowin House  
Tregolls Road, Truro, Cornwall, TR1 2NA, UK  
Company N° 4552140 • VAT N° 986755351

## PRODUCT DATA:

### REVEAL TRIM



# Clayworks

Please direct any correspondence to our administration office at:

The Granary, Higher Boden Farm  
Manaccan - Helston, Cornwall, TR12 6EN, UK

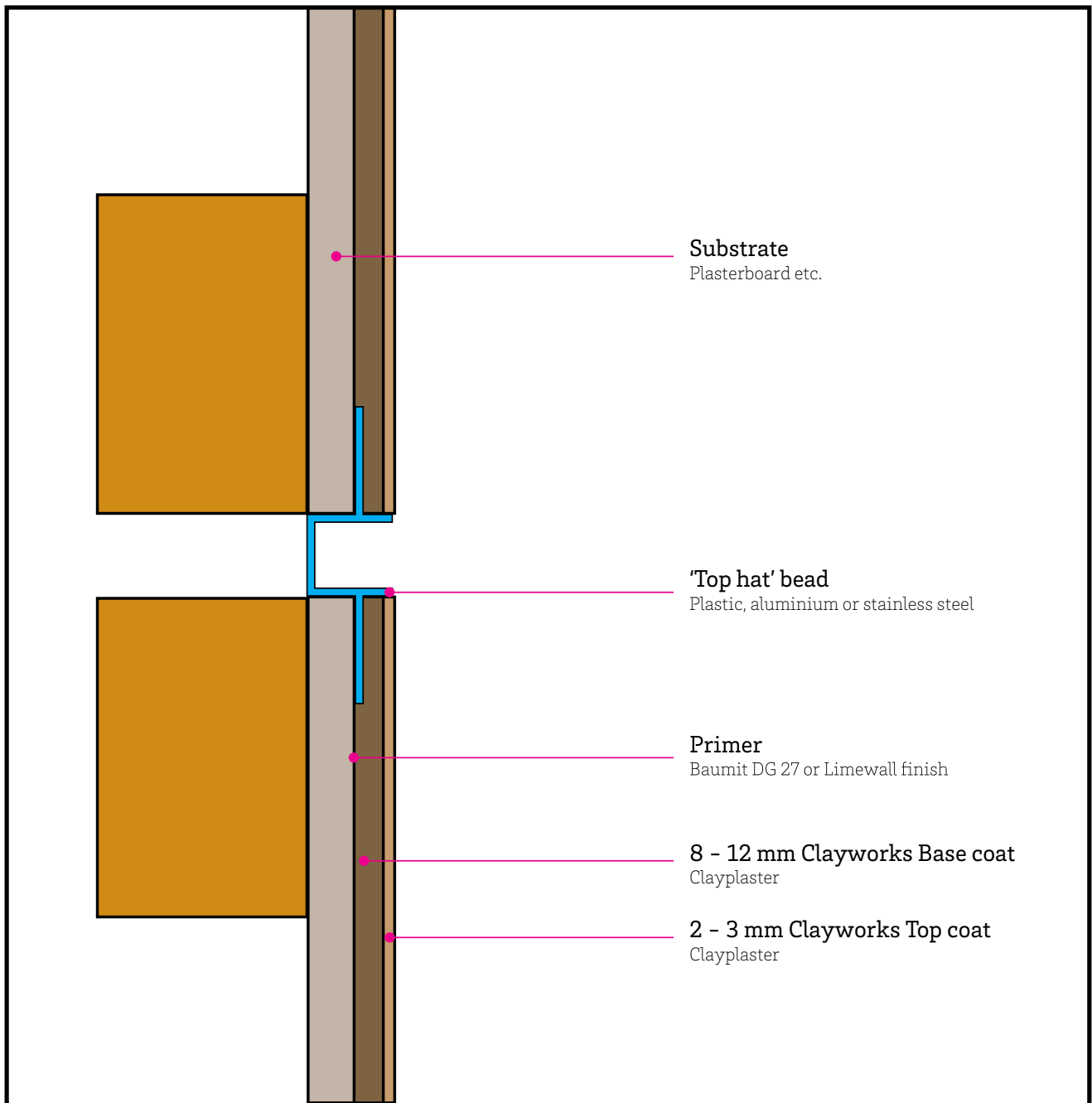
[info@clay-works.com](mailto:info@clay-works.com)  
[www.clay-works.com](http://www.clay-works.com)

01326 341339

Clayworks Limited Registered Office: Lowin House  
Tregolls Road, Truro, Cornwall, TR1 2NA, UK  
Company N° 4552140 • VAT N° 986755351

## PRODUCT DATA:

### SHADOW GAP DETAIL



# Clayworks

Please direct any correspondence to our administration office at:

The Granary, Higher Boden Farm  
Manaccan - Helston, Cornwall, TR12 6EN, UK

[info@clay-works.com](mailto:info@clay-works.com)  
[www.clay-works.com](http://www.clay-works.com)

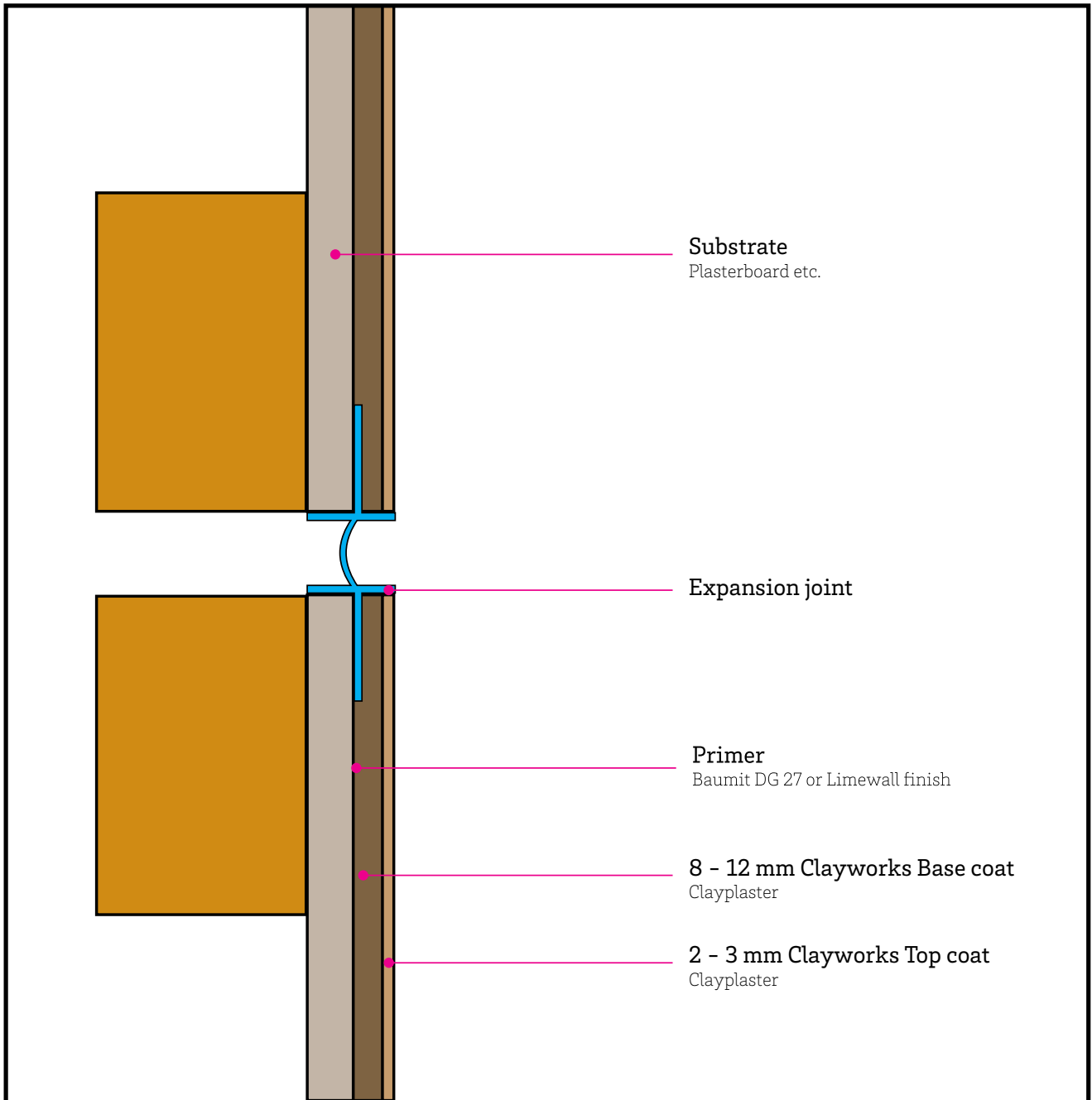
01326 341339

**Clayworks Limited** Registered Office: Lowin House  
Tregolls Road, Truro, Cornwall, TR1 2NA, UK  
Company N<sup>o</sup> 4552140 • VAT N<sup>o</sup> 986755351



## PRODUCT DATA:

### EXPANSION JOINT DETAIL



# Clayworks

Please direct any correspondence to our administration office at:

The Granary, Higher Boden Farm  
Manaccan - Helston, Cornwall, TR12 6EN, UK

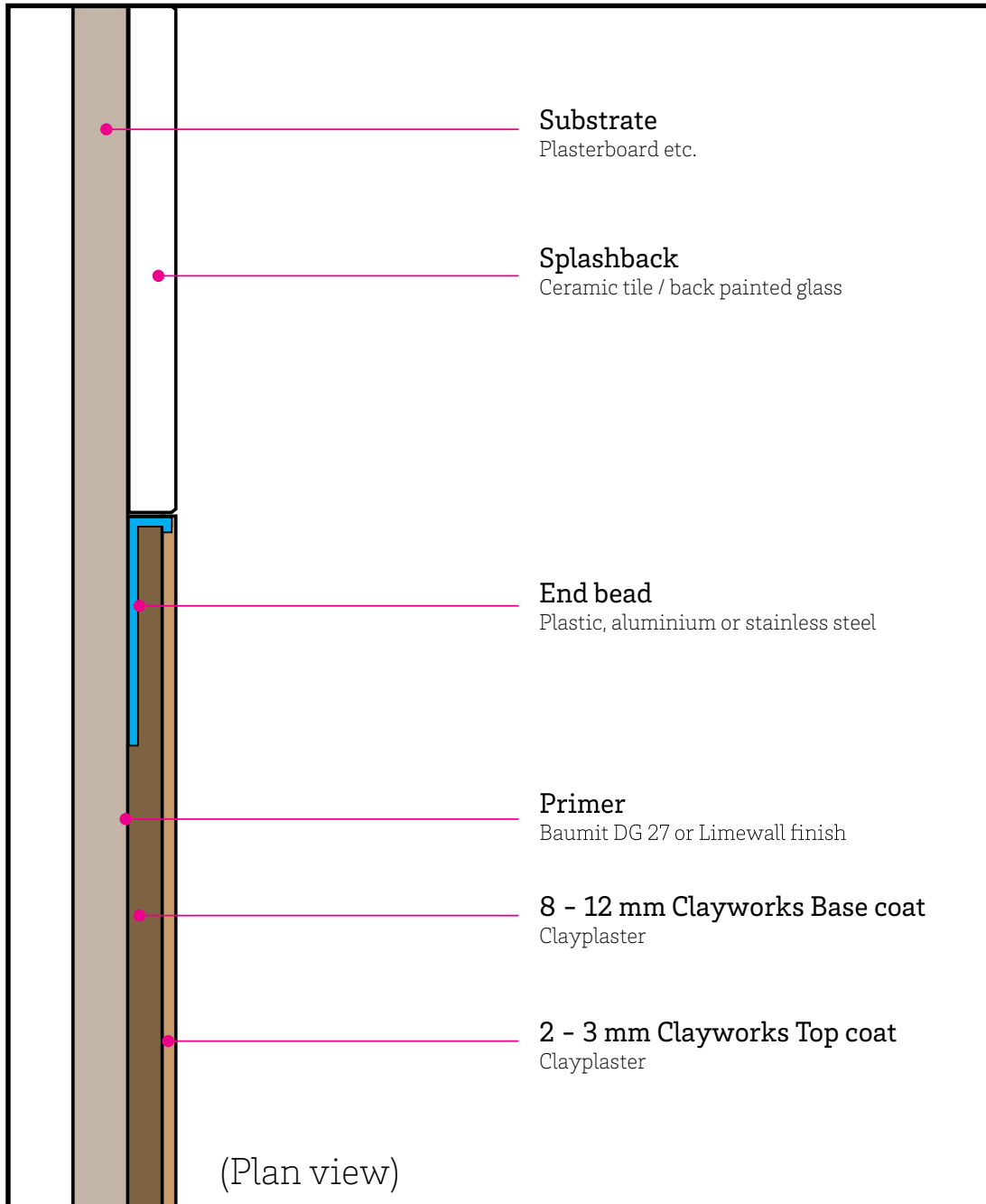
[info@clay-works.com](mailto:info@clay-works.com)  
[www.clay-works.com](http://www.clay-works.com)

01326 341339

Clayworks Limited Registered Office: Lowin House  
Tregolls Road, Truro, Cornwall, TR1 2NA, UK  
Company N° 4552140 • VAT N° 986755351

## PRODUCT DATA:

### SPLASHBACK JUNCTION



# Clayworks

Please direct any correspondence to our administration office at:

The Granary, Higher Boden Farm  
Manaccan - Helston, Cornwall, TR12 6EN, UK

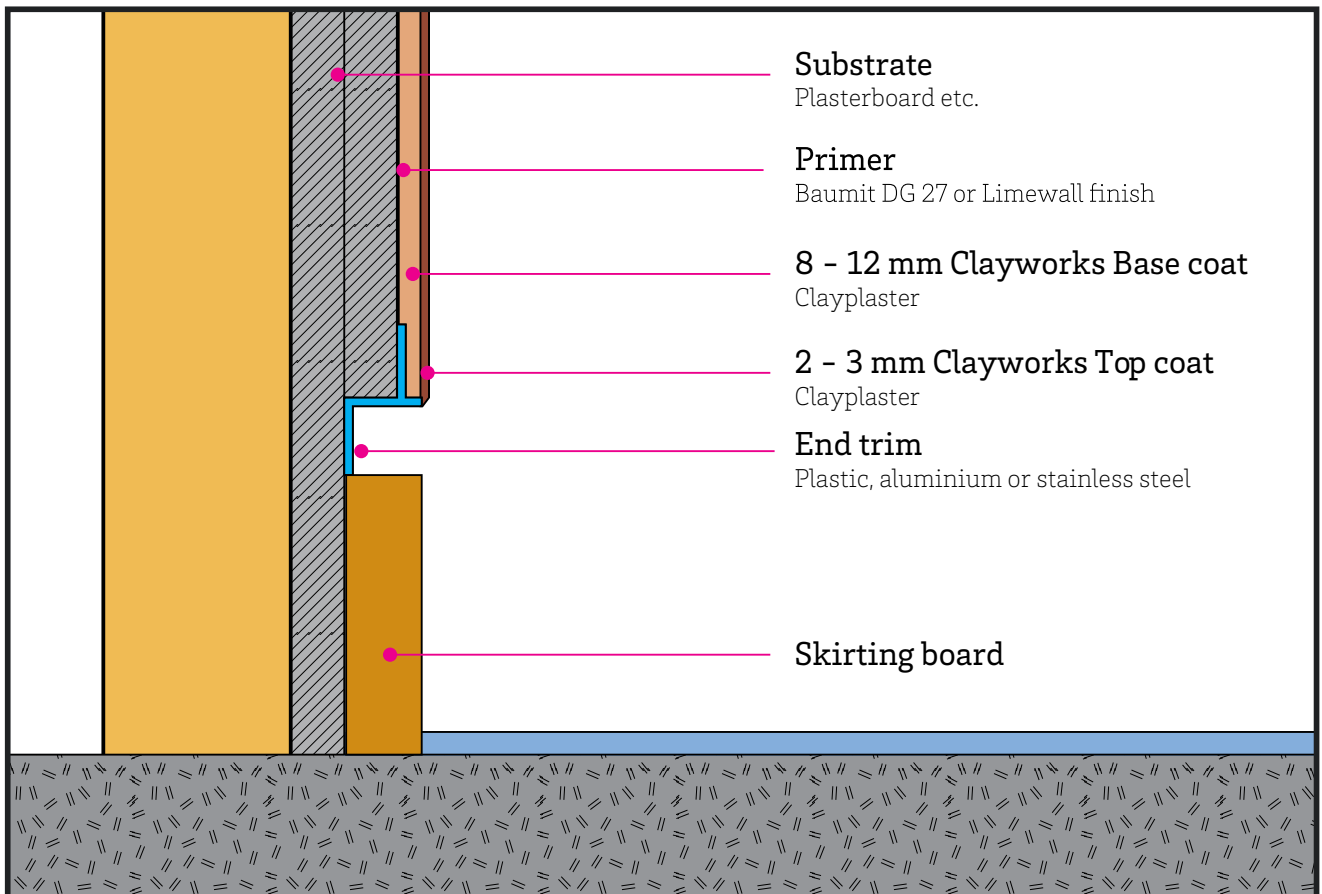
[info@clay-works.com](mailto:info@clay-works.com)  
[www.clay-works.com](http://www.clay-works.com)

01326 341339

Clayworks Limited Registered Office: Lowin House  
Tregolls Road, Truro, Cornwall, TR1 2NA, UK  
Company N<sup>o</sup> 4552140 • VAT N<sup>o</sup> 986755351

## PRODUCT DATA:

### WALL - FLOOR JUNCTION SHADOW GAP



## Clayworks

Please direct any correspondence to our administration office at:

The Granary, Higher Boden Farm  
Manaccan - Helston, Cornwall, TR12 6EN, UK

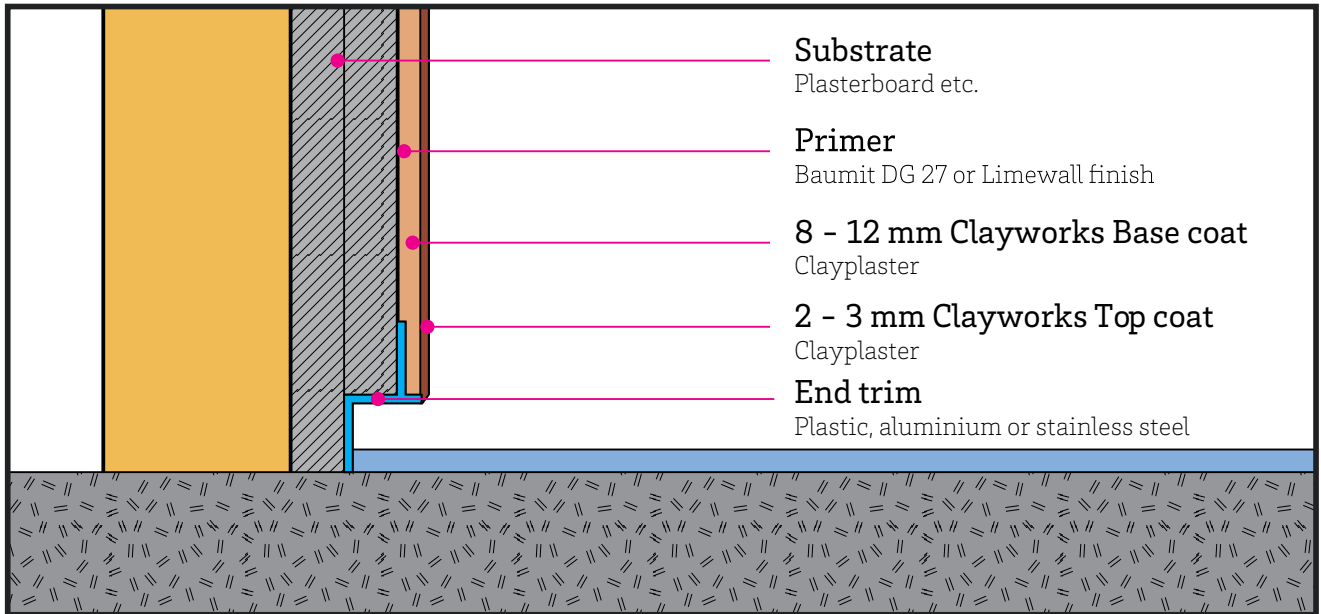
[info@clay-works.com](mailto:info@clay-works.com)  
[www.clay-works.com](http://www.clay-works.com)

01326 341339

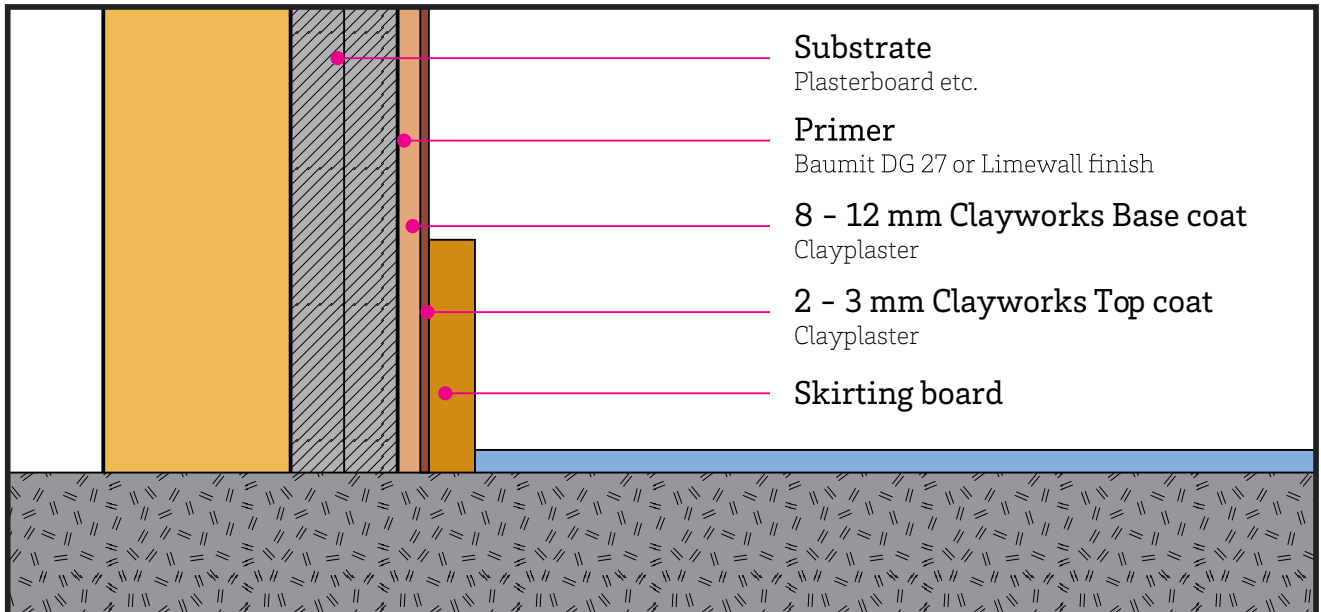
Clayworks Limited Registered Office: Lowin House  
Tregolls Road, Truro, Cornwall, TR1 2NA, UK  
Company N° 4552140 • VAT N° 986755351

## PRODUCT DATA:

### WALL - FLOOR JUNCTION SHADOW GAP



### WALL - FLOOR JUNCTION SKIRTING



# Clayworks

Please direct any correspondence to our administration office at:

The Granary, Higher Boden Farm  
Manaccan - Helston, Cornwall, TR12 6EN, UK

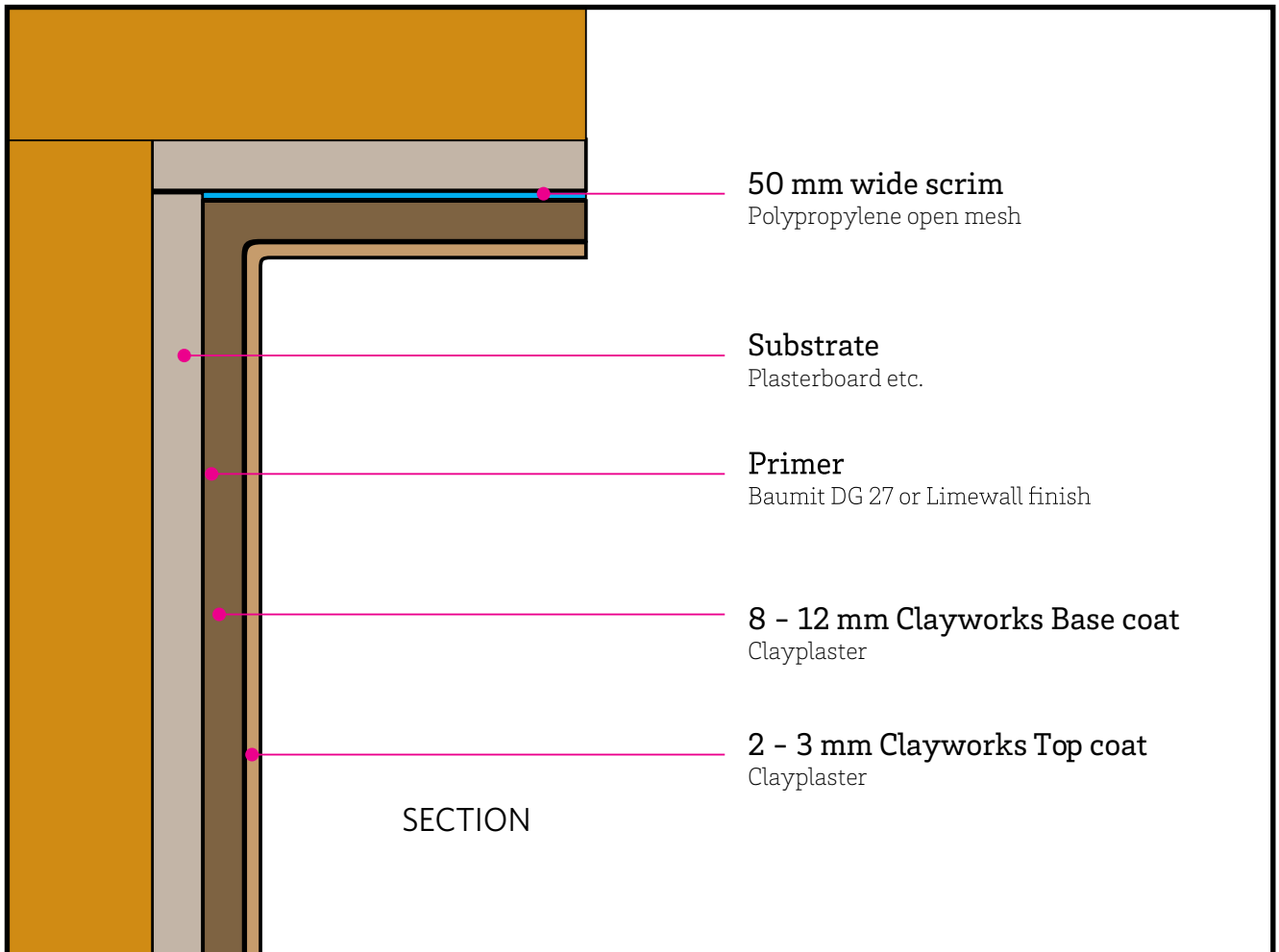
[info@clay-works.com](mailto:info@clay-works.com)  
[www.clay-works.com](http://www.clay-works.com)

01326 341339

Clayworks Limited Registered Office: Lowin House  
Tregolls Road, Truro, Cornwall, TR1 2NA, UK  
Company N° 4552140 • VAT N° 986755351

## PRODUCT DATA:

### WALL - CEILING JUNCTION - SINGLE PLASTER COLOUR



## Clayworks

Please direct any correspondence to our administration office at:

The Granary, Higher Boden Farm  
Manaccan - Helston, Cornwall, TR12 6EN, UK

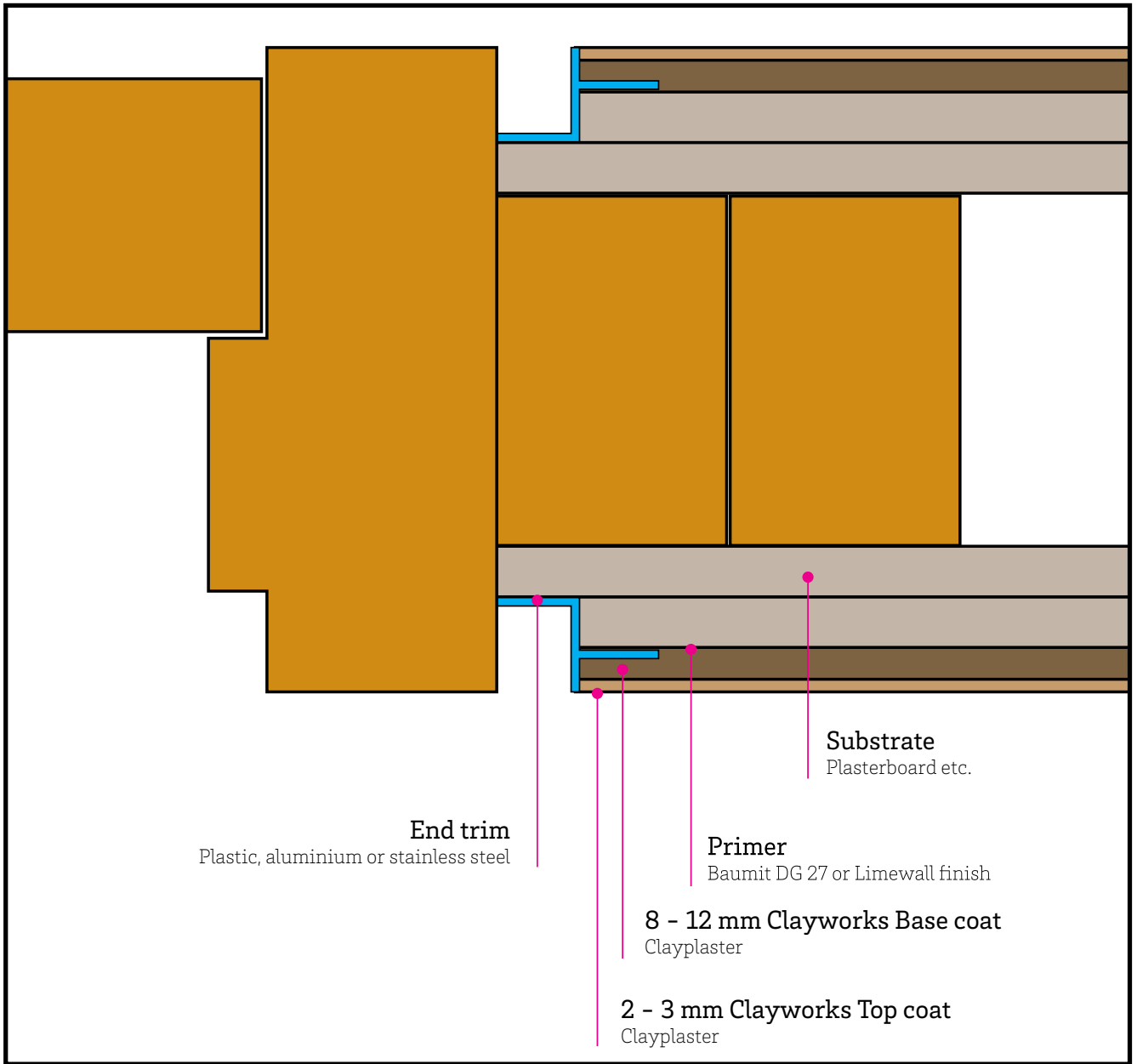
[info@clay-works.com](mailto:info@clay-works.com)  
[www.clay-works.com](http://www.clay-works.com)

01326 341339

Clayworks Limited Registered Office: Lowin House  
Tregolls Road, Truro, Cornwall, TR1 2NA, UK  
Company N° 4552140 • VAT N° 986755351

**PRODUCT DATA:**

DOOR JUNCTION SHADOW GAP



# Clayworks

Please direct any correspondence to our administration office at:

The Granary, Higher Boden Farm  
Manaccan - Helston, Cornwall, TR12 6EN, UK

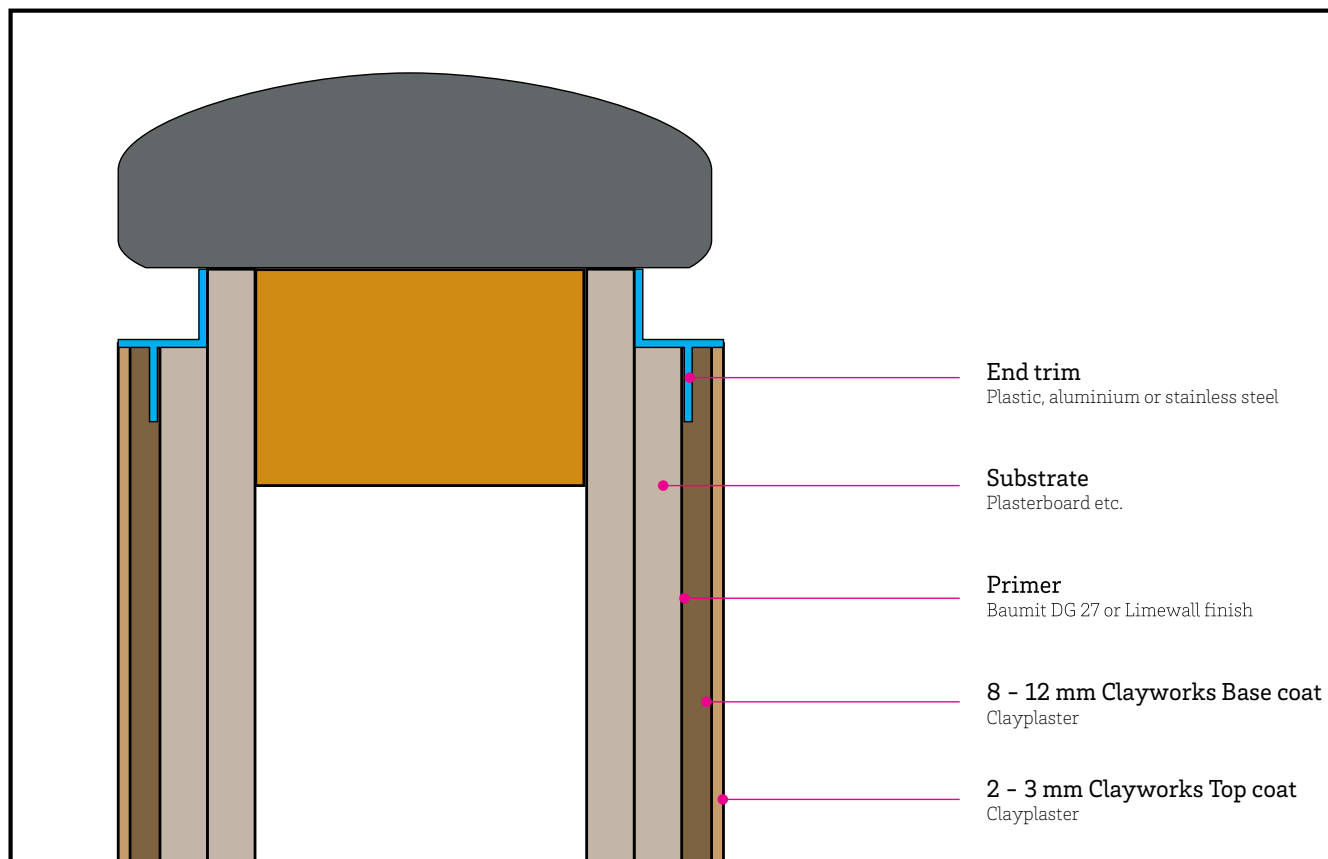
[info@clay-works.com](mailto:info@clay-works.com)  
[www.clay-works.com](http://www.clay-works.com)

01326 341339

Clayworks Limited Registered Office: Lowin House  
Tregolls Road, Truro, Cornwall, TR1 2NA, UK  
Company N° 4552140 • VAT N° 986755351

## PRODUCT DATA:

### BALUSTRADE DETAIL



## Clayworks

Please direct any correspondence to our administration office at:

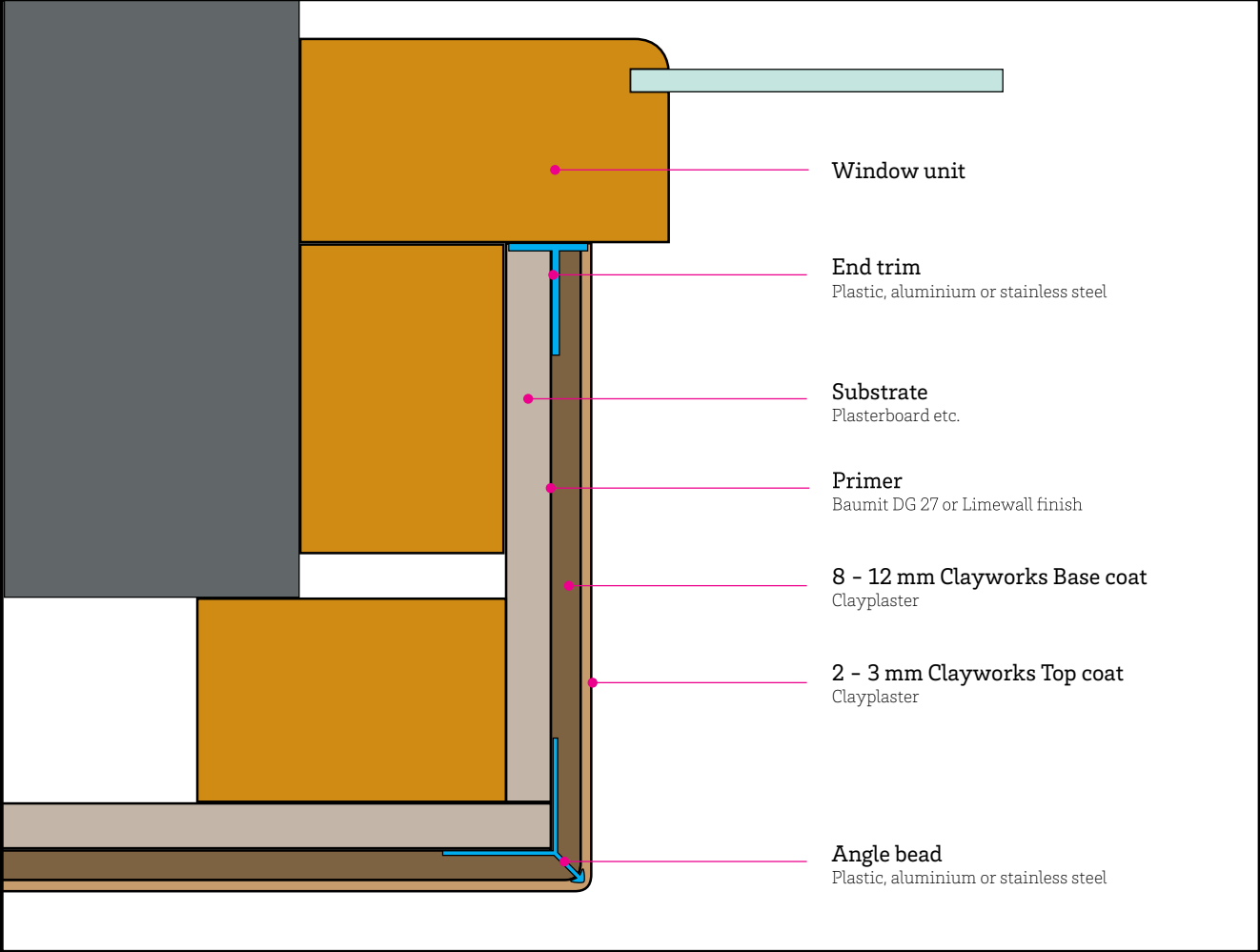
The Granary, Higher Boden Farm  
Manaccan - Helston, Cornwall, TR12 6EN, UK

[info@clay-works.com](mailto:info@clay-works.com)  
[www.clay-works.com](http://www.clay-works.com)

01326 341339

Clayworks Limited Registered Office: Lowin House  
Tregolls Road, Truro, Cornwall, TR1 2NA, UK  
Company N° 4552140 • VAT N° 986755351

**PRODUCT DATA:**  
WINDOW REVEAL



# Clayworks

Please direct any correspondence to our administration office at:

The Granary, Higher Boden Farm  
Manaccan - Helston, Cornwall, TR12 6EN, UK

[info@clay-works.com](mailto:info@clay-works.com)  
[www.clay-works.com](http://www.clay-works.com)

01326 341339

Clayworks Limited Registered Office: Lowin House  
Tregolls Road, Truro, Cornwall, TR1 2NA, UK  
Company N° 4552140 • VAT N° 986755351